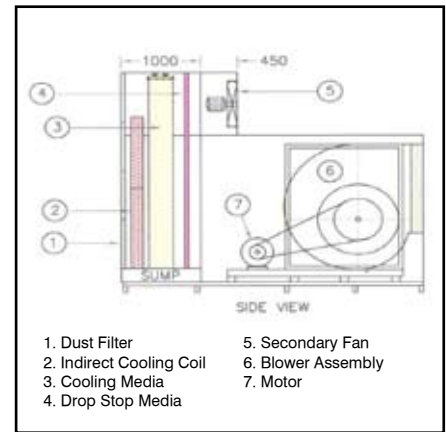


AMAX[®]

INDIRECT/DIRECT EVAPORATIVE COOLERS COMMERCIAL/INDUSTRIAL APPLICATIONS

- Indirect/Direct Evaporative Cooling (IDEC) design delivers supply air at below wet bulb temperature (115% adiabatic effectiveness) providing energy savings of 70% and EER of 50+.
- Indirect Only (IEC) design option provides adiabatic effectiveness of 75%+ for maximum energy savings without added humidity.
- Provides 100% fresh air and positive pressurization for data centers, hospitals, schools and other installations with high Indoor Air Quality (IAQ) requirements.
- Two stage “cooling tower” configuration is rugged and requires minimal maintenance.
- Stainless steel wet section construction and double skin insulated blower section for durability.
- Economical standard sizing for quick installation or custom design available
- Full engineering support provided, including energy and cost saving calculations
- Qualifies for federal, state and utility incentive programs.

Applications include data centers, medical facilities, schools and other buildings with high heat loads and/or fresh air requirements.



AMBASSADOR TWO STAGE INDIRECT / DIRECT COOLING SYSTEMS

S.NO.	DESCRIPTION AMAX	AMAX 055	AMAX 080	AMAX 100	AMAX 125	AMAX 150	AMAX 200
	CUBMTS/SEC	2.60	3.78	4.72	5.90	7.08	10.00
1	CFM	5500	8000	10000	12500	15000	20000
	EQUIV KWH	11	16	20	25	30	40
2	DIMENSIONS MM						
2.10	WIDTH 'W'	56"	56"	68"	68"	80"	91"
2.20	DEPTH 'D'	114"	122"	126"	128"	132"	142"
2.30	HEIGHT 'H'	71"	95"	95"	115"	115"	132"
3	MEDIA SIZE MM						
3.10	LENGTH	48"	48"	60"	60"	72"	83"
3.20	DEPTH	12"	12"	12"	12"	12"	12"
3.30	HEIGHT	56"	80"	80"	100"	100"	117"
3.40	NO OF MODULES	1	1	1	1	1	1
4	BLOWER DIDW						
4.10	DIAMETER MM	16"	20"	22"	24"	28"	31.5"
4.20	BLOWER RPM	1592	1189	1063	934	818	750
4.30	WG MM	1.5"	1.5"	1.5"	1.5"	1.5"	1.5"
4.40	OUTLET SQ DXE	20"	25"	28"	31.5"	53.5"	40"
4.50	OUTLET VELOCITY	10.14	9.28	9.26	9.22	8.79	9.33
5	TANK						
5.10	LENGTH	48"	48"	60"	60"	72"	83"
5.20	WIDTH	28"	28"	28"	28"	28"	28"
5.30	HEIGHT	8"	8"	8"	8"	8"	8"
5.40	NO OF MODULES	1	1	1	1	1	1
6	MOTOR TEFC						
6.10	HP	3.00	5.00	5.00	5.00	7.50	10.00
6.2	PH	3	3	3	3	3	3
6.3	RPM	1440	1440	1440	1440	1440	1440
7	COIL CU/AL 3 DEEP						
7.10	WIDTH MM	48"	48"	60"	60"	72"	83"
7.20	HEIGHT MM	42"	60"	60"	38"	38"	44"
7.30	NO OF MODULES	1	1	1	2	2	2
8.00	SECONDARY FANS						
8.10	DIAMETER	20"	24"	24"	24"	24"	24"
8.20	HP / 3PH	0.50	1.00	1.00	1.00	1.00	1.00
8.30	CFM	3300	4800	6000	3750	4500	6000
8.40	QTY	1	1	1	2	2	2
9.00	WATER EVAP LPH	77.00	112.00	140.00	175.00	210.00	280.00
	POWER CONSUMP WATTS	2650	3430	3940	5280	5870	7140
10.00	DRY WEIGHT LBS	1350.00	1500.00	1650.00	2450.00	2750.00	3200.00
10.10	OPERATING WEIGHT LBS	1800.00	2000.00	2300.00	3200.00	3550.00	4100.00